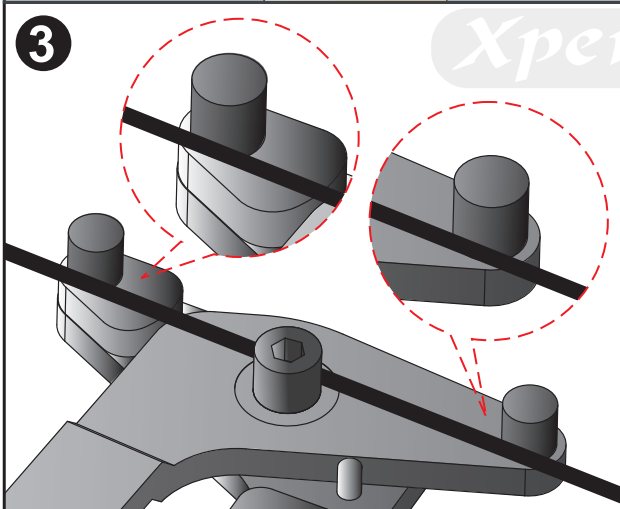
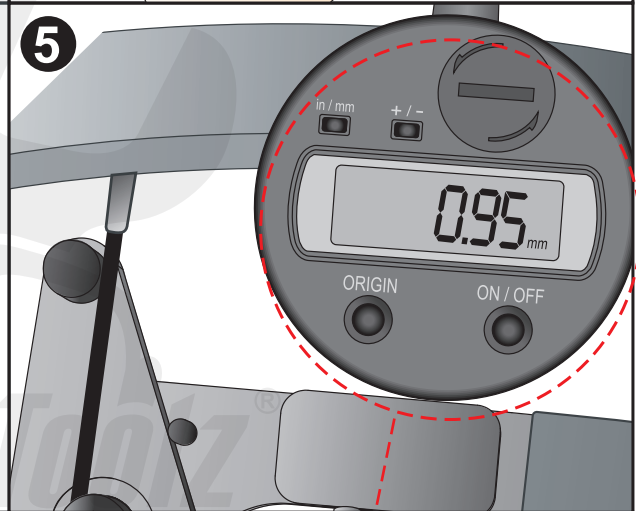
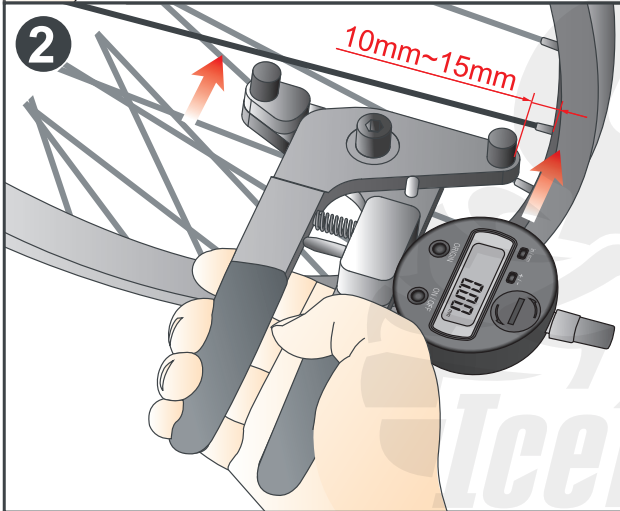
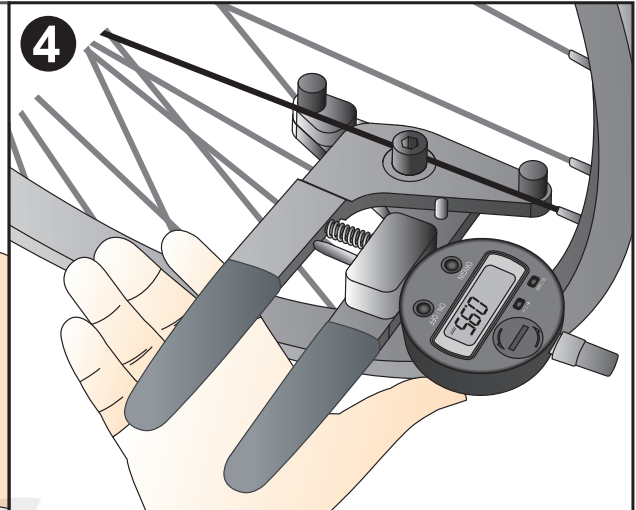
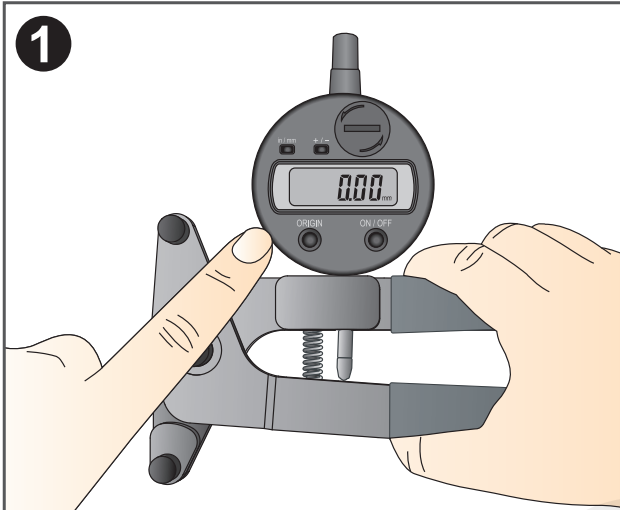


E383 Spoke Tension Meter

ISO-9001:2008
QMS Certified



Xpert series

	50	60	70
— cnSPOKE STD13C	3.45	3.59	3.75
— cnSPOKE STD14C	2.53	2.71	2.90
— cnSPOKE STD15C	2.05	2.23	2.41
- - SAPIM Leader 14G	2.75	2.87	3.01
- - - SAPIM CX Ray	0.62	0.8	0.95

1 kgf = 9.8 N = 2.204 lbf