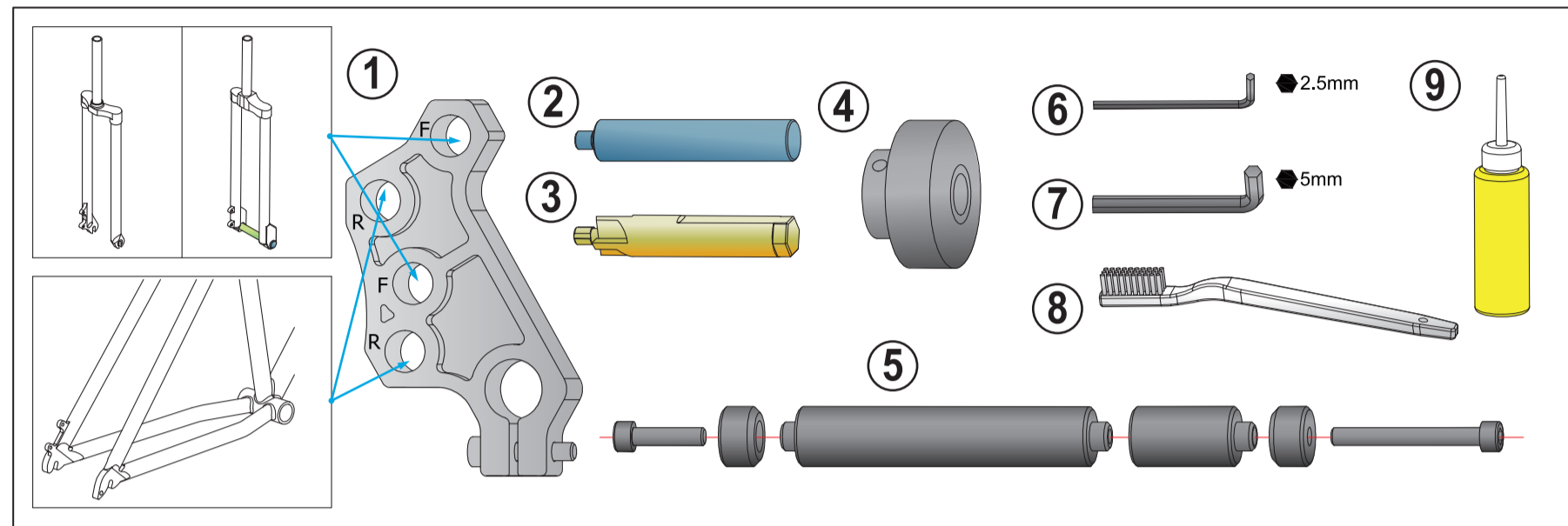
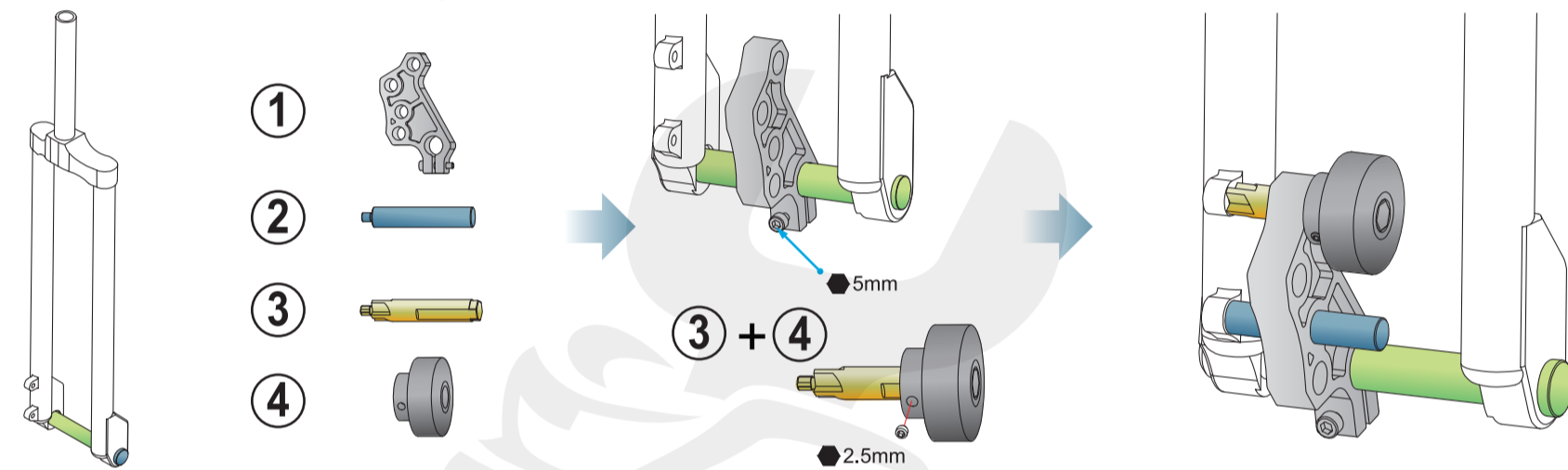


E271 Disk Mount Facing Tool

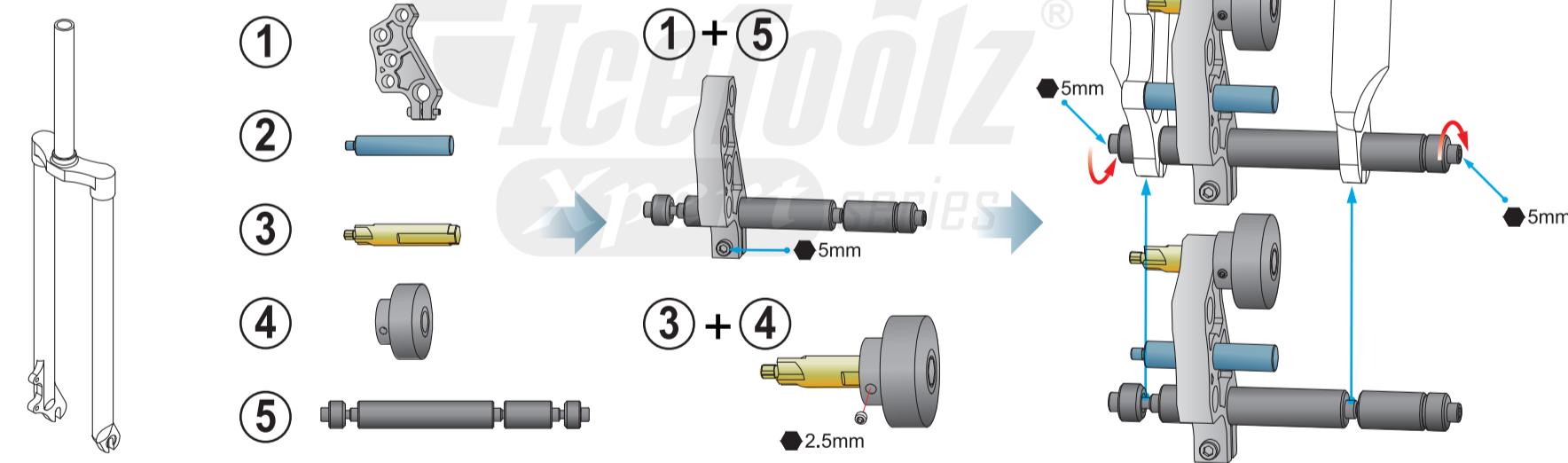
ISO-9001:2008
QMS Certified



► 20mm Thru-axle System



► Conventional Fork



► Frame

